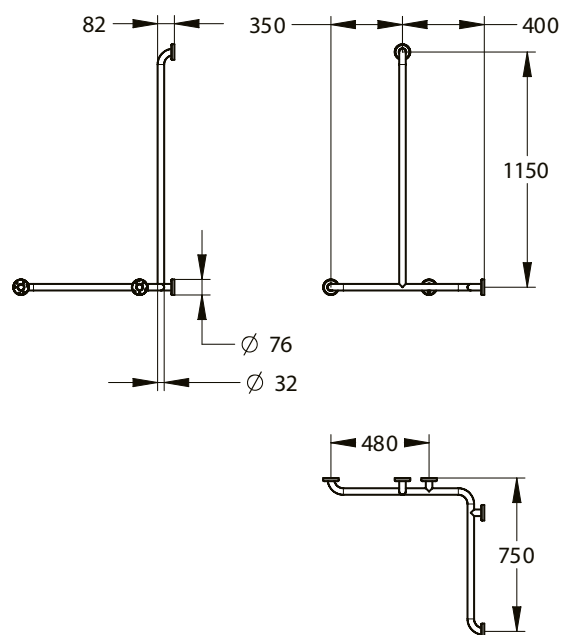


Range: Grab bars and support rail

Ref: 60334 - Corner bar and vertical diameter 32 mm - left model



> Dimensions:

- Diameter: 32 mm
- Length x height: 750x750x1150 mm

> Material and finish color:

- 304 brushed stainless steel
- Mounting plate, screwed platinum-bar assembly

> Delivered with :

- Stainless steel escutcheons for concealing fixing screws
- Left model
- 5 attachment points

> Standards / Approvals:

- Resistance to neutral salt spray (NSS): 200 h according to NF ISO 9227