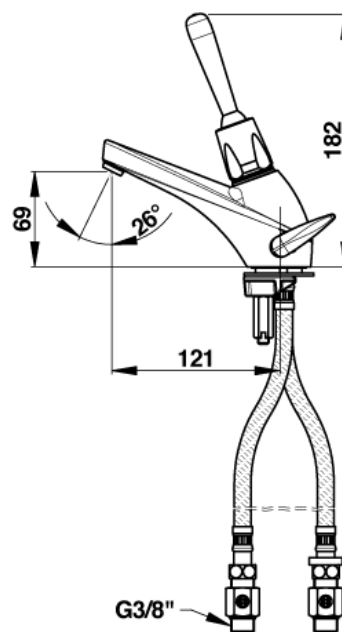


Range : Deck-mounted mixer tap

Ref : 68232 - PRESTO 7000



> Working pressure :

- 1 to 5 bar

> Flow :

- 3 l/min at 3 bar - 4-position flow adjustment device
- Anti-water-hammering design

> Flow time :

- 15 seconds (± 5 sec.)

> Operation :

- Simple press on the lever to activate the water flow

> Hydraulic supply :

- G 3/8" (12x17)

> Thermal resistance :

- Resistant to a temperature of 75°C for 30 minute thermal shock

> Security :

- Non-removable, wear-proof red or blue marker

> Delivered with :

- 2 MM G 3/8" (12x17) Stop valves
- 2 Filter gaskets
- 1 Stainless steel plain washer
- 2 PEX hoses with NF check valves and nuts
- Fixing bracket
- 1 Flange gasket
- 1 Brass clamping nut
- 2 coloured marker (Red and blue)
- Instruction manual

> Standards & approvals :

- Brass body in accordance with EN 1982, EN 12164, EN 12156
- Molded chrome-plated body in accordance with EN 12540
- 200-hour neutral salt spray resistant (NSS) in accordance with ISO 9227

