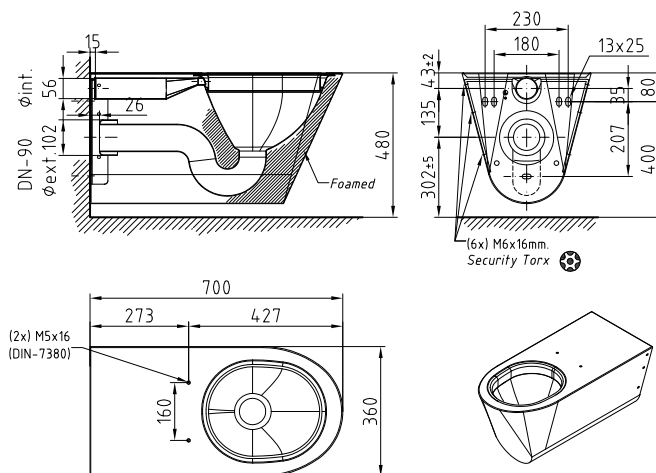


Range: STAINLESS STEEL SANITARYWARE

Ref: 71604 - Wall Hung Toilet Pan - Front Mounting - Disabled people



> Description:

- Wall mounted toilet, Front mounting, Long version (disabled people)
- Deep flush, no sharp edges, corners or seams
- Flushing Capacity 4-6l, direct flush valve compatible.
- Holes to attach the seat are drilled but foreseen with stainless steel covering plates
- Filled with expanded polyurethane foam for sound deadening and to prevent bumps and dents
- Fits on built-in frames

> Material:

- Stainless Steel AISI 304
- Thickness 1 - 1,5 mm
- Satin brushed finish

> Dimension :

- W 360 x D 700 x H 360 mm

> Water connexion:

- Water inlet Ø 56mm

> Drain connexion :

- Water outlet Ø102mm

> Delivery with :

- Stainless steel bracket plate 2mm thickness
- Stainless steel vandal proof screw

> Standards & approvals

- E certification
- comply with NF EN 997
- class EN 997 - CL1 - 6/4A - 6/4 C

