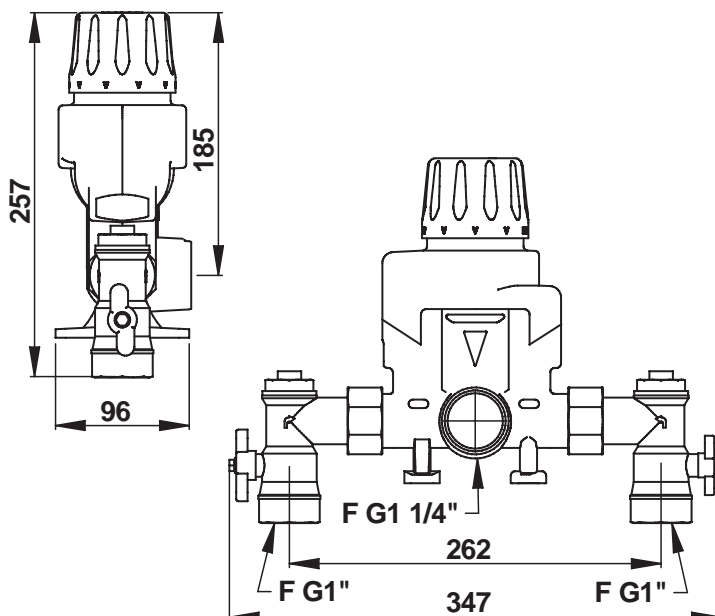


Range: PRESTOTHERM MIXING VALVE

Ref: 84020 - PRESTOTHERM XL 280L



> Working pressure :

- Static operating supply : 10 bar
- Dynamic operating pressure supply : 0.2 à 6 bar max
- Permitted supply pressure variation : 10:1 max

> Flow :

- Maximum : 280 l/min à 3 bar
- Minimum : 15 l/min à 3 bar

> Temperature :

- Factory set temperature : 43°C +/-1°C
- Adjustable temperature range : 35 à 65°C
- Maximum hot water supply : 90°C max
- Minimum cold water supply : 5 to 25°C
- Minimum differential temperature : 10°C (Between hot water inlet and mixed outlet)

> Hydraulic supply :

- Inlet G 1" (26x34)
- Outlet 1 1/4" (33x42)

> Thermal resistance :

- Designed to withstand thermal shocks at temperatures over 75°C during 30 min

> Security :

- Internal temperature limiter

> Delivered with :

- 2 Filter gaskets
- 2 Stop valves
- 2 NF check valves

> Standards & approvals :

- 200-hour neutral salt spray resistant (NSS) in accordance with ISO 9227
- Brass body in accordance with EN 1982, EN 12164, EN 12156

