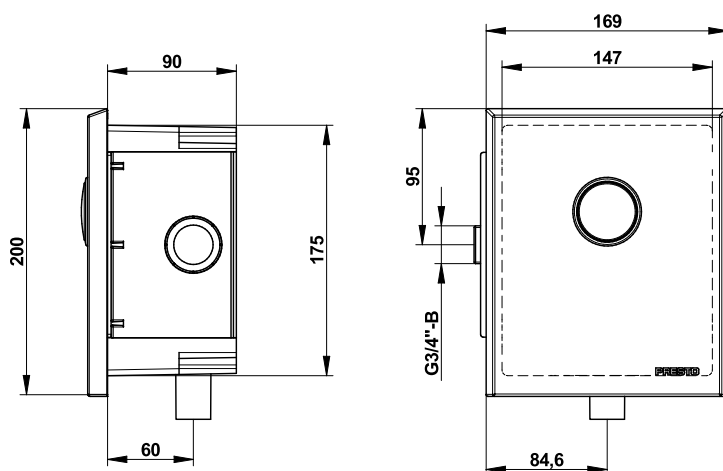


**Range:** Self-closing flush valves

**Ref:** 14252SB - PRESTO 1000 XL E ECO , 4L - Suitable for rimless toilets bowls



**> Working pressure:**

- 1 to 5 bar

**> Discharge volume per flush:**

- 4l ± 1l
- Anti-water-hammering device
- 60l/min flow regulator

**> Flow time:**

- 4 seconds ± 1 second

**> Hydraulic supply:**

- Right or left square M G 3/4" (20x27)
- Outlet connection on flush pipe Ø 28 mm

**> Material and colour finish:**

- Brass body
- Stainless steel vandal-proof front plate

**> Security:**

- Suitable for rimless toilets bowls of the market, only with a PVC Presto flushing valve pipe in diameter 28 (References 47850 and 47871)
- Vacuum breaker device prevents the contamination of the water network from polluted water backflow
- Patented anti-blocking "S" system preventing the tap to be blocked in open position to avoid continued water flow

**> Delivered with:**

- 1 Concealed ABS case
- 1 Stainless steel front plate with chrome-plated brass button
- 1 Flush valve P1000XL ECO 4L type with integrated stop-valve
- 1 Instruction manual

**> Standards & approvals :**

- Brass body in accordance with EN 1982, EN 12164, EN 12165
- Nickel-Chrome plated according to EN12540
- 200-hour neutral salt spray resistant (NSS) in accordance with ISO 9227

