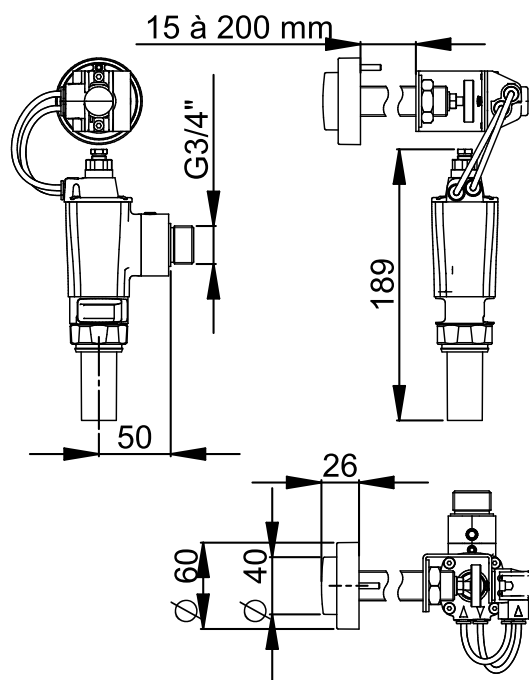


Range: Self-closing flush valves

Ref: 14265SB - Ready to install kit PRESTO 1000 XL ECO 4L for service duct - Suitable for rimless toilets bowls



> Working pressure :

- 1 to 5 bar

> Discharge volume per flush :

- 4l ±1l
- Anti-water-hammering device
- 60l/min flow regulator

> Flow time duration :

- 4 seconds ± 1 second

> Hydraulic supply :

- Square male M G 3/4" (20x27)
- Outlet connection on flush pipe Ø 28 mm

> Material and colour finish :

- Crude brass body and stop valve
- Chrome plated brass push button

> Security :

- Suitable for rimless toilets bowls of the market, only with a PVC Presto flushing valve pipe in diameter 28 (References 47850 and 47871)
- Vacuum breaker device prevents the contamination of the water network from polluted water backflow
- Patented anti-blocking "S" system preventing the tap to be blocked in open position to avoid continued water flow

> Delivered with :

- 1 Flush valve P1000XL, ECO 4L type with integrated stop-valve
- 1 Remote control for induct mounting 15 to 200mm with clamping nuts
- 1 PVC angled pipe
- 1 Nozzle
- 1 Instruction manual

> Standards & approvals :

- Brass body in accordance with EN 1982, EN 12164, EN 12165
- Molded chrome-plated body in accordance with EN 12540
- 200-hour neutral salt spray resistant (NSS) in accordance with ISO 9227

