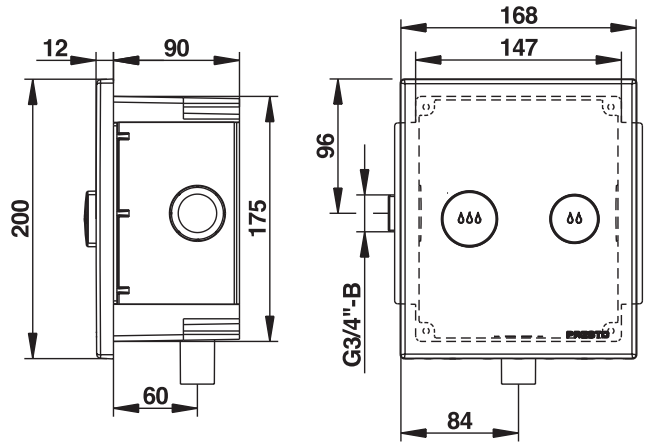


Range: Self-closing dual flush valve

Ref: 14303SB - PRESTO 1000 XL E DVA ECO 2L/4L - Suitable for rimless toilets bowls



> **Working pressure :**

- 1 to 5 bar

> **Discharge volume per flush :**

- High volume : 4l ± 1l
- Low volume : 2l ± 1l
- Anti-water-hammering device
- 60l/min flow regulator

> **Flow time duration :**

- High volume : 4s±1s
- Low volume : 2s±1s

> **Hydraulic supply :**

- Right or left square M G 3/4" (20x27)
- Outlet connection on flush pipe Ø 28 mm

> **Material and colour finish :**

- Brass body
- Brushed chrome-plated front plate with anti-fingerprint

> **Security :**

- Suitable for rimless toilets bowls of the market, only with a PVC Presto flushing valve pipe in diameter 28 (References 47850 and 47871)
- Vacuum breaker device prevents the contamination of the water network from polluted water backflow
- Patented anti-blocking "S" system preventing the tap to be blocked in open position to avoid continued water flow

> **Delivered with:**

- 1 Concealed ABS case
- 1 Brushed chromed -plated front plate
- 1 Flush valve P1000XL, ECO 2L/4L type with integrated stop-valve
- 1 Instruction manual

> **Standards & approvals :**

- Brass body in accordance with EN 1982, EN 12164, EN 12165
- Nickel-Chrome plated according to EN12540
- 200-hour neutral salt spray resistant (NSS) in accordance with ISO 9227

