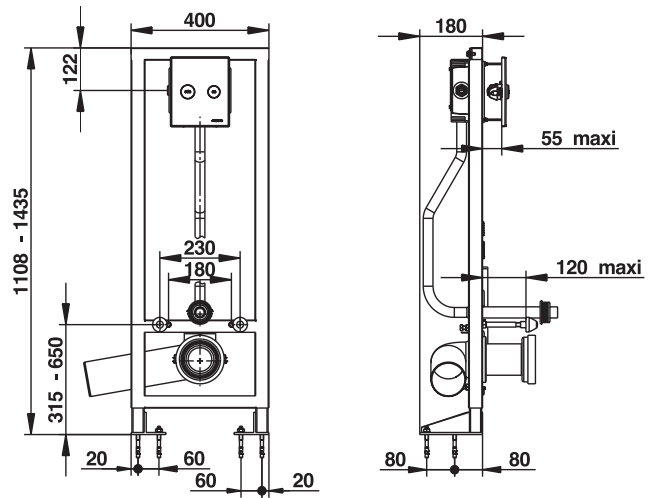


Range: SELF-SUPPORTING MOUNTING FRAME WITH DIRECT FLUSH

Ref: 18461SB - Self-supporting mounting frame for direct Dual flush - Suitable for rimless toilets bowls



> Working pressure:

- 1 to 5 bar

> Discharge volume per flush:

- High volume: from 6 to 9 liters, adjustable with wrench
- Low volume: from 2,5 to 5 liters, adjustable by the slider on the front plate
- Anti-water-hammering device
- 60l/min flow regulator

> Hydraulic supply:

- On the dual volume flush valve with 3/4" (20x27) integrated stop valve
- Power supply on the right or the left side of the box

> Material and colour finish:

- 60 micron epoxy coated soldered steel mounting frame
- Galvanized legs and floor fixing plates
- Brass body flush valve
- Bright chrome-plated front plate

> Security:

- Suitable for rimless toilets bowls of the market
- Patented anti-blocking "S" system to avoid the water to flow continuously
- Vacuum breaker prevents the contamination of the water network from polluted water backflow

> Delivered with:

- 1 Flush valve with stop valve integrated
- 1 Brass coupling nut Male Female 3/4" (20x27)
- 1 PVC angle tube Ø 32 mm and 1 junction nozzle male 55 mm
- 1 Extended straight PE tube 100 mm with adapter sleeve for connection to the bowl
- 1 WC outlet angle PVC pipe dia. 100 mm
- Screw and dowel for toilet bowl fixing

> Standards & approvals:

- Acoustic class II
- Brass body in accordance with EN 1982, EN 12164, EN 12165
- Chrome plated front plate according to EN 12540
- 200-hour neutral salt spray resistant (NSS) in accordance with ISO 9227

