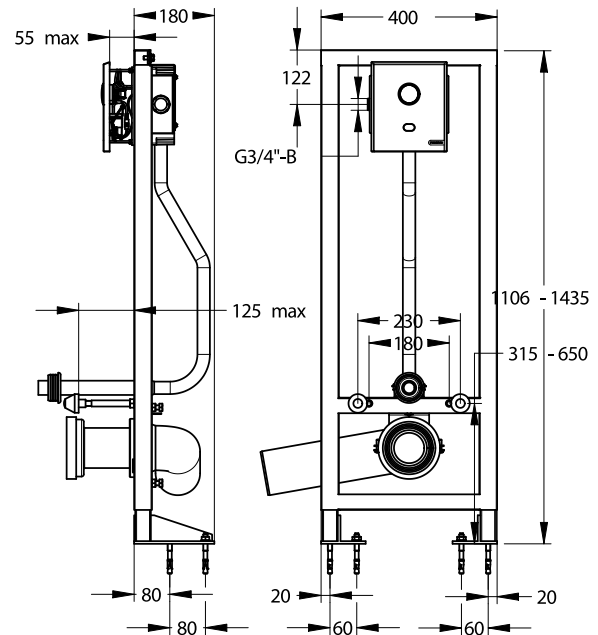


Range: SELF-SUPPORTING MOUNTING FRAME WITH DIRECT FLUSH VALVE

Ref: 18493SB - Self-supporting mounting frame with PRESTO 7100 XL N - Suitable for rimless toilets bowls



> Working pressure:

- 1 to 5 bar

> Volume of water delivered (adjustable on request through PRESTO setting tool):

- Small volume: 4l (+/- 1l) Adjustable from 2 to 6l at 2.5 bar
- Large volume: 6l (+/- 1l) Adjustable from 4 to 9l at 2.5 bar
- Volume preset at +/- 1,5l on pressure range from 1,2 to 4 bar
- Anti-water-hammering device
- 60l/min flow regulator

> Operation:

- Double flush volume automatic detection depending on the time of user presence (4/6l - short/long detection)
- By pass manual 6l push button (flush can be activated in case of power failure)

> Hydraulic supply:

- On PRESTO 1000 XL tap with 3/4" (20x27) integrated stop valve
- Power supply on the right or the left side of the box

> Power supply:

- With mains 7V via 12V / 24V AC or DC. Compatible with 230 V AC / 12 V AC transformer not included (See Ref. 90464 / 90711/ 90610 / 90685 / 90704 / 90686).

> Material and colour finish

- 60 micron epoxy coated soldered steel mounting frame
- Galvanized legs and floor fixing plates
- Brass body flush valve
- Anti-vandal brushed stainless steel 304L front plate

> Security:

- Suitable for rimless toilets bowls of the market
- Patented anti-blocking "S" system preventing the tap to be blocked in open position to avoid continued water flow
- Vacuum breaker device prevents the contamination of the water network from polluted water backflow
- The solenoid valve will be closed automatically in case of low battery or any damage of detector

> Delivered with:

- 1 Flush valve with stop valve integrated
- 1 Brass coupling nut Male Female 3/4" (20x27)
- 1 PVC angle tube Ø 32 mm and 1 junction nozzle male 55 mm
- 1 Extended straight PE tube 100 mm with adapter sleeve for connection to the bowl
- 1 WC outlet angle PVC pipe dia. 100 mm
- Screw and dowel for toilet bowl fixing

> Standards & approvals:

- Brass body in accordance with EN 1982, EN 12164, EN 12165
- 200-hour neutral salt spray resistant (NSS) in accordance with ISO 9227

