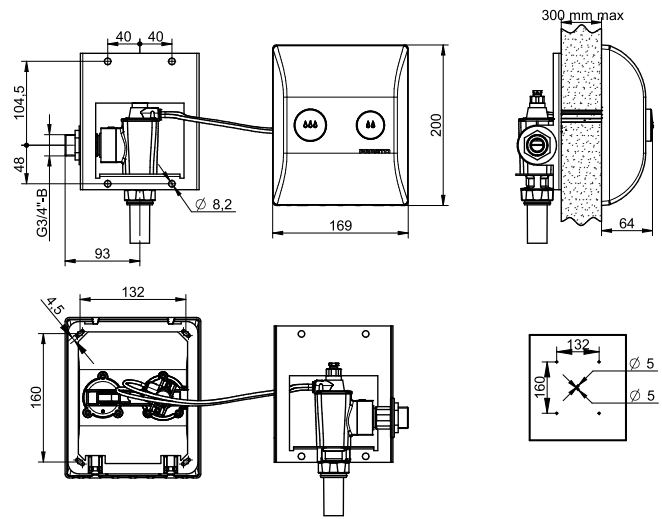


Range: Direct dual flush valve with adjustable volumes

Ref: 18720SB - Kit PRESTO 1000 XL DVA for cross-partition control, for firewall, for rimless toilets bowls



> Working pressure:

- 1 to 5 bar

> Discharge volume per flush:

- High volume : from 6 to 9 liters adjustable with wrench
- Low volume : from 2.5 to 5 liters adjustable by the slider on front plate
- Anti-water-hammering device
- 60l/min flow regulator

> Flow time:

- High volume: 6 to 9 seconds
- Low volume: 2 to 5 seconds

> Hydraulic supply:

- Right or left square M G 3/4" (20x27)
- Outlet connection on flush pipe \varnothing 28 mm

> Wall thickness:

- Compatible for partitions from 15 to 300mm

> Material and colour finish:

- Brass body with nickel-chrome treatment
- Injected metal front plate, anti-fingerprint brushed metal finish

> Security:

- Suitable for rimless toilets bowls of the market
- Patented anti-blocking "S" system preventing the tap to be blocked in open position to avoid continued water flow
- Vacuum breaker device prevents the contamination of the water network from polluted water backflow
- Control plate and power tube of the bowl: As part of an appropriate installation, it allows to comply with the safety rules of a public receiving establishment (PRE), Article CO 31 of the order of June 25, 1980 modified which specifies that no degree of fire resistance is required for the ducts if their nominal diameter is less than or equal to 75 mm , provided the hole is not larger than the diameter of the duct or capillaries running through the wall
- In the event of integration into a fire-resistant partition, the support mounting frame is fitted with a connecting sleeve, a pipe and a reinforcement, all in NF Me (PVC B-s3, d0). As part of an appropriate installation, it complies with the Safety rules requirements of an establishment open to the public (ERP) article CO 31 of the order of June 25, 1980 amended for diameters less than or equal to 125mm. Refer to the instructions for detailed integration diagrams.
- Rear access required for maintenance

> Delivered with:

- 1 Double button anti-fingerprint brushed metal front, integrated ignitor
- 1 Flush valve PRESTO 1000 XL
- 1 Metal mounting plate as flush valve support
- 1 PVC flush tube
- 1 Installation instructions

> Standards & approvals:

- Acoustic class II
- Brass body in accordance with EN 1982, EN 12164, EN 12165
- Molded chrome-plated front plate in accordance with EN 12540
- 200-hour neutral salt spray resistant (NSS) in accordance with ISO 9227

