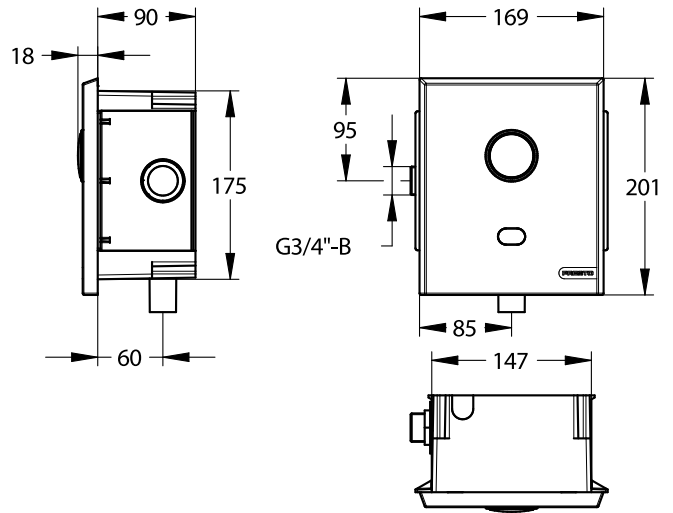


**Range:** Concealed sensor flush valve

**Ref:** 55418SB - PRESTO 7100 XL N, mains power, 2L-4L - Suitable for rimless toilets bowls



**> Working pressure :**

- 1 to 5 bar dynamic

**> Volume of water delivered :**

- Pre-fixed at 4 liters at 2,5 bar dynamic pressure (+/-1 L)
- Anti-water-hammering device
- 60l/min flow regulator

**> Flow time :**

- 4 seconds ( the parameters can be adjusted via PRESTO programming tool)

**> Operation :**

- Double flush volume automatic detection depending on the time of user presence (2 or 4L - short/long detection)
- By pass manual 4 L push button (flush can be activated in case of power failure)

**> Power supply :**

- With mains 7V via 12V / 24V AC or DC. Compatible with 230 V AC / 12 V AC transformer not included ( See Ref. 90464 / 90711/ 90610 / 90685 / 90704 / 90686).

**> Hydraulic supply :**

- On PRESTO 1000 XL tap with 3/4" (20x27) integrated stop valve
- Outlet connection on flush pipe Ø 28 mm

**> Material and colour finish :**

- Bright brass body and stop valve
- Anti-vandal brushed stainless steel 304L front plate

**> Security :**

- Suitable for rimless toilets bowls of the market, only with a PVC Presto flushing valve pipe in diameter 28 (References 47850 and 47871)
- Vacuum breaker device prevents the contamination of the water network from polluted water backflow
- Patented anti-blocking "S" system to avoid the water to flow continuously
- The solenoid valve will be closed automatically in case of low battery or any damage of detector

**> Delivered with :**

- 1 concealed box
- 1 integrated stop valve
- Instruction manual

**> Standards & approvals :**

- Brass body in accordance with EN 1982, EN 12164, EN 12165
- 200-hour neutral salt spray resistant (NSS) in accordance with ISO 92

Ce document n'est pas contractuel ; nous nous réservons le droit de modifier les caractéristiques de nos produits sans préavis. Toutes nos marques et tous modèles sont déposés.

