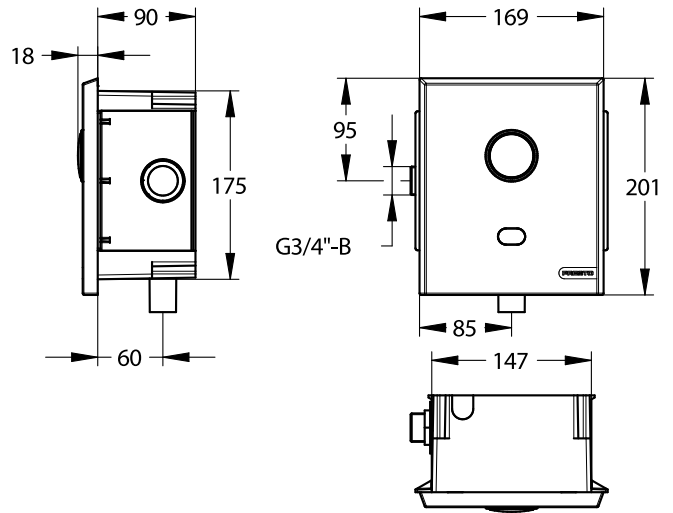


**Range:** Concealed sensor flush valve

**Ref:** 55432SB - PRESTO 7100 XL N, mains power - Suitable for rimless toilets bowls



#### > Working pressure:

- 1 to 5 bar

#### > Volume of water delivered (adjustable on request through PRESTO setting tool):

- Small volume: 4 L (+/- 1 L) Adjustable from 2 to 6 L at 2,5 bar
- Large volume: 6 L (+/- 1 L) Adjustable from 4 to 9 L at 2,5 bar
- Volume preset at +/- 1,5 L on pressure range from 1,2 to 4 bar
- Anti-water-hammering device
- 60l/min flow regulator

#### > Operation:

- Double flush volume automatic detection depending on the time of user presence (4/6L - short/long detection)
- By pass manual 6L push button (flush can be activated in case of power failure)

#### > Power supply:

- With mains 7V via 12V / 24V AC or DC. Compatible with 230 V AC / 12 V AC transformer not included ( See Ref. 90464 / 90711/ 90610 / 90685 / 90704 / 90686).

#### > Hydraulic supply:

- On PRESTO 1000 XL tap with 3/4" (20x27) integrated stop valve
- Outlet connection on flush pipe Ø 28 mm

#### > Material and colour finish:

- Bright brass body and stop valve
- Anti-vandal brushed stainless steel 304l front plate

#### > Security:

- Suitable for rimless toilets bowls of the market, only with a PVC Presto flushing valve pipe in diameter 28 (References 47850 and 47871)
- Vacuum breaker device prevents the contamination of the water network from polluted water backflow
- Patented anti-blocking "S" system to avoid the water to flow continuously
- The solenoid valve will be closed automatically in case of low battery or any damage of detector

#### > Delivered with:

- 1 concealed box
- 1 integrated stop valve
- Instruction manual

#### > Standards & approvals:

- Brass body in accordance with EN 1982, EN 12164, EN 12165
- 200-hour neutral salt spray resistant (NSS) in accordance with ISO 9227

