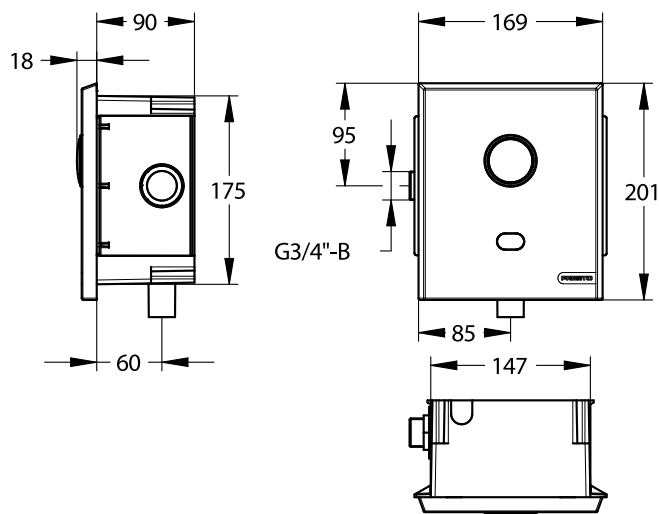


Range: Concealed sensor flush valve

Ref: 55478SB - PRESTO 7200 XL N, battery power - Suitable for rimless toilets bowls



> Working pressure:

- 1 to 5 bar

> Volume of water delivered (adjustable on request through PRESTO setting tool):

- Small volume: 4l (+/- 1l) Adjustable from 2 to 6l at 2.5 bar
- Large volume: 6l (+/- 1l) Adjustable from 4 to 9l at 2.5 bar
- Volume preset at +/- 1,5l on pressure range from 1,2 to 4 bar
- Anti-water-hammering device
- 60l/min flow regulator

> Operation:

- Double flush volume automatic detection depending on the time of user presence (4/6l - short/long detection)
- By pass manual 6l push button (flush can be activated in case of power failure)

> Power supply:

- With integrated 6V-CRP2 lithium battery type in water-proof casing

> Hydraulic supply:

- On PRESTO 1000 XL tap with 3/4" (20x27) integrated stop valve
- Outlet connection on flush pipe Ø 28 mm

> Material and colour finish:

- Bright brass body and stop valve
- Anti-vandal stainless steel front plate with matte black coating and rose gold PVD button

> Security:

- Suitable for rimless toilets bowls of the market, only with a PVC Presto flushing valve pipe in diameter 28 (References 47850 and 47871)
- Vacuum breaker device prevents the contamination of the water network from polluted water backflow
- Patented anti-blocking "S" system to avoid the water to flow continuously
- Solenoid valve will be automatically closed in case of low battery or any detector damage.

> Delivered with:

- 1 concealed box
- 1 integrated stop valve
- Instruction manual

> Standards & approvals:

- Brass body in accordance with EN 1982, EN 12164, EN 12165
- 200-hour neutral salt spray resistant (NSS) in accordance with ISO 9227

