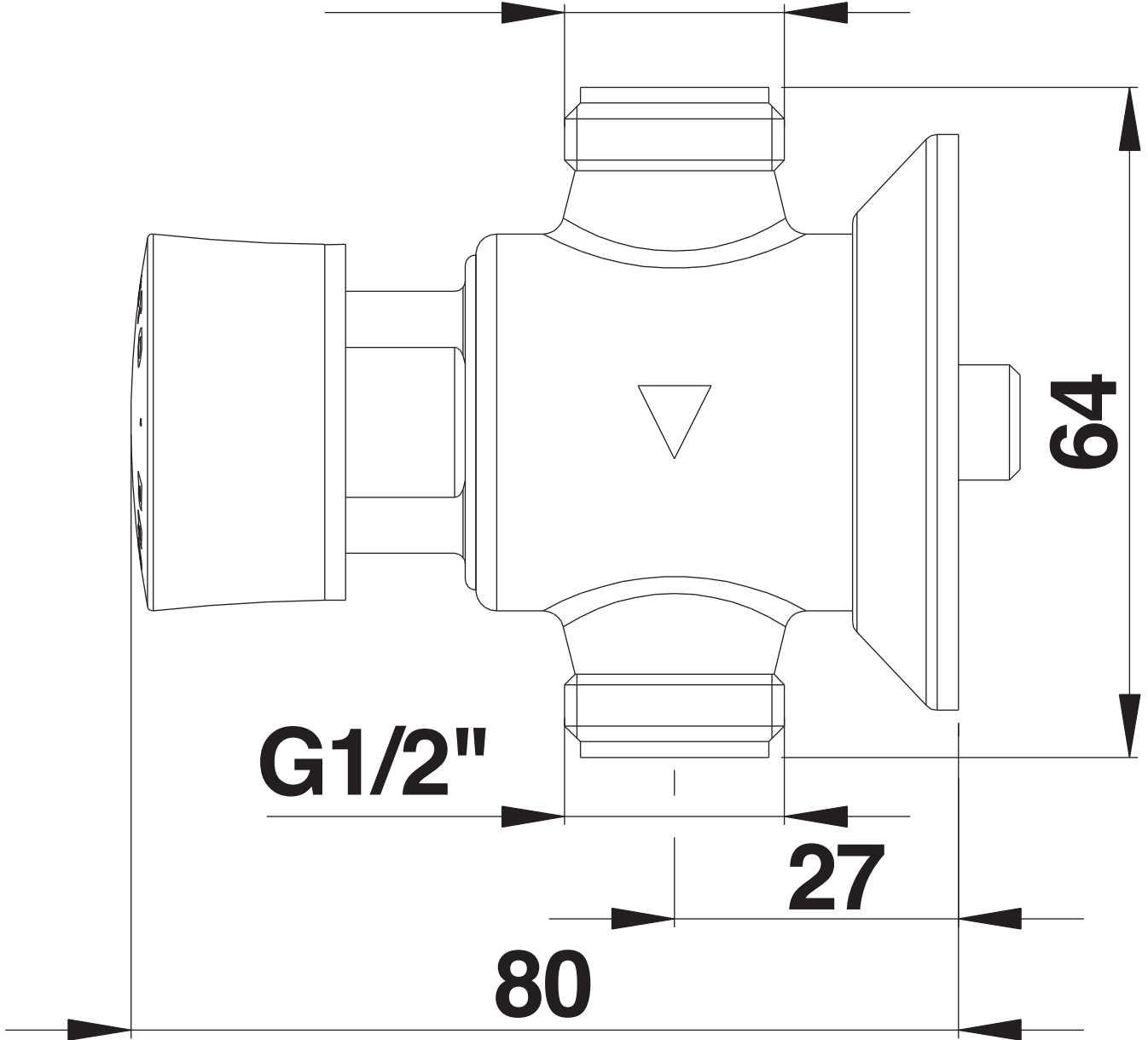


G1/2"



G1/2"

64

27

80