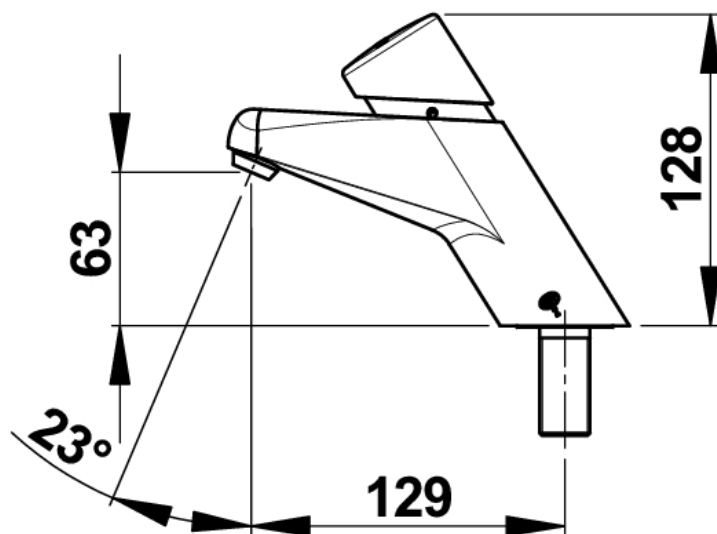


Range : Single deck-mounted tap

Ref : 20002 - PRESTOMAT 2000



> **Working pressure :**

- 1 to 5 bar

> **Flow :**

- 4l/min Flow limiter / 5-position flow adjustment device inaccessible to users
- Anti-water-hammering design
- Vandalism proof and anti-clogging spout

> **Flow time :**

- 15 seconds (± 5 sec.) - 4-position flow adjustment device

> **Operation :**

- Simple push-button action to activate the water flow

> **Hydraulic supply :**

- M G 1/2" (15x21) - Premixed water (Red skirt)

> **Thermal resistance :**

- Resistant to a temperature of 75°C for 30 minute thermal shock

> **Delivered with :**

- 1 G 1/2" nut for 12x14 tube with filter gasket
- 1 Stainless steel plain washer
- 1 Brass clamping nut
- 1 Nitrile plain washer
- Instruction manual

> **Standards & approvals :**

- Acoustic class I
- Brass body in accordance with EN 1982, EN 12164, EN 12165
- Chrome-plated surface treatment in accordance with EN 12540
- 200-hour neutral salt spray resistant (NSS) in accordance with ISO 9227

