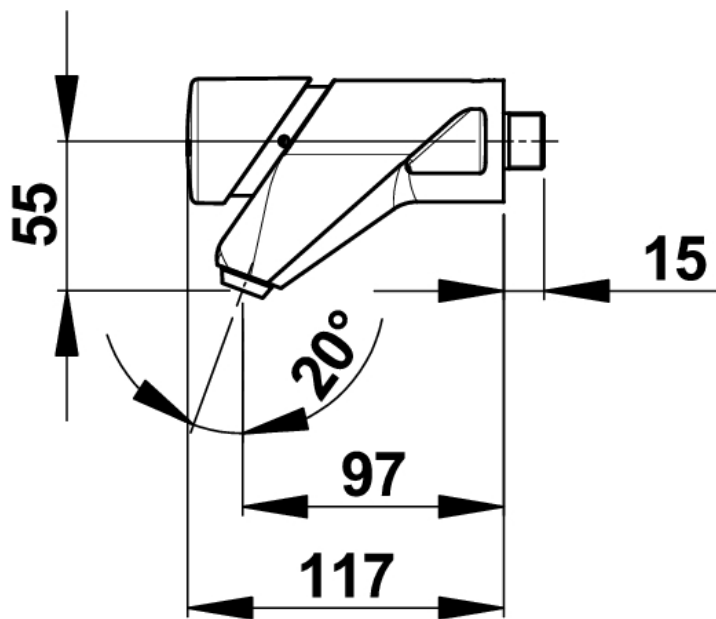


Range : Single wall-mounted tap

Ref : 20102 - PRESTOMAT 2010 wall-mounted tap



> Working pressure :

- 1 to 5 bar

> Flow :

- 4l/min Flow limiter / 5-position flow adjustment device inaccessible to users
- Anti-water-hammering design
- Vandalism proof and anti-clogging spout

> Flow time :

- 15 seconds (± 5 sec.) - 4-position flow adjustment device

> Operation :

- Simple push-button action to activate the water/flow

> Hydraulic supply :

- M G 1/2" (15x21) - Premixed water (Red skirt)

> Thermal resistance :

- Resistant to a temperature of 75°C for 30 minute thermal shock

> Delivered with :

- 1 G 1/2" nut for 12x14 tube with filter gasket
- 1 Stainless steel plain washer
- 1 Brass clamping nut
- 1 Nitrile plain washer
- Instruction manual

> Standards & approvals :

- Acoustic class I
- Brass body in accordance with EN 1982, EN 12164, EN 12165
- Chrome-plated surface treatment in accordance with EN 12540
- 200-hour neutral salt spray resistant (NSS) in accordance with ISO 9227

