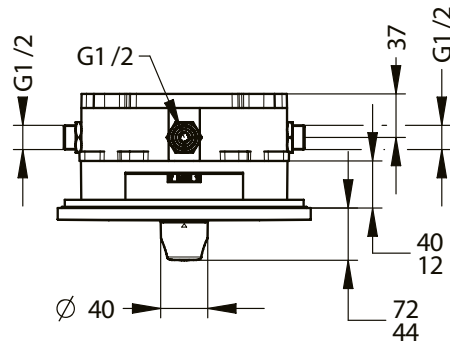
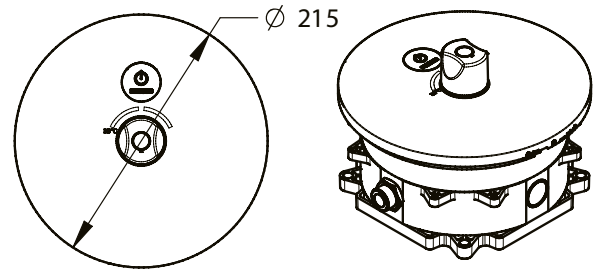


**Range:** Thermostatic Concealed Shower Mixer TOUCH

**Ref:** 35401 - Timed-flow mixer tap in waterproof box for shower - Battery-operated



#### > Working pressure :

- 1 to 5 bar

#### > Flow :

- 8 l/min with integrated flow regulator
- Anti-water-hammering device

#### > Flow time :

- 30 seconds (adjustable)
- PRESTO TOUCH sensitive switch suitable for elderly and disabled people
- Start / Stop function

#### > Hydraulic supply :

- Hot water inlet on the left : M G 1/2" (15x21)
- Cold water inlet on the right : M G 1/2" (15x21)
- Mixed water outlet on the top : M G 1/2" (15x21)
- NF non-return valves
- Temperature limiter preset at 38°C
- Stop valve inside the box
- External connectors

#### > Power supply :

- 6 V lithium battery (CRP2 type) in a casing placed within the concealed box

#### > Material and colour finish :

- Brass tap body
- Chrome-plated front plate and knob
- Engineered polymer concealed box

#### > Thermal resistance :

- Resistant to a temperature of 75°C for 30 minute in case of thermal shock

#### > Security :

- Temperature limited by adjustable stop inside the box (non-accessible for the user)
- Anti-scalding safety : flow is immediately stopped if the cold water or hot water is cut off, compliant to French norm EN1111.
- 30sec auto-flush every 24h limiting the bacterial growth (Legionella, Pseudomonas...) adjustable by TOUCH button configuration.
- Waterproofness : waterproof concealed box

#### > Delivered with :

- 1 waterproof concealed box
- 1 round front plate
- 2 filter gaskets
- T connector for drain
- 1 sealing flange
- 1 Instruction manual

#### > Standards & approvals :

- Brass body in accordance with EN 1982, EN 12164, EN 12165
- Materials UBA List Compliant
- Nickel-Chrome plated according to EN12540
- 200-hour neutral salt spray resistant (NSS) in accordance with ISO 9227
- Thermostatic cartridge conform with NF EN 1111
- DVGW certified - DW-6515DM0592

