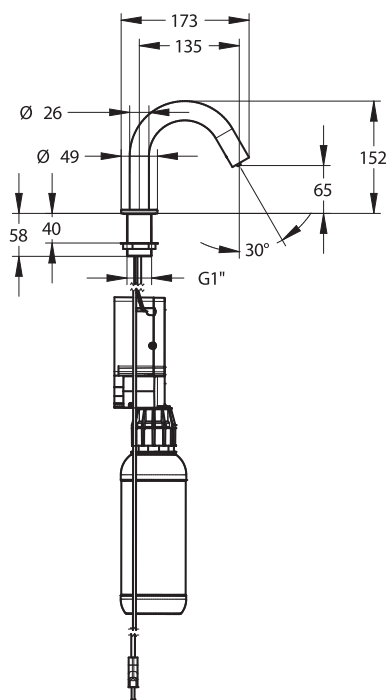


Range: PRESTO Slim

Ref: 52700NM - SLIM deck-mounted soap dispenser, mains powered.



Operation:

- Automatic activation and shut-off by presence detection.
- Suitable for PRMs, the elderly and children.

Delivered volume:

- 0.5ml.

Capacity:

- 1L reservoir bottle attached to housing.
- Easy refilling by unclipping bottle.
- Easy filling thanks to wide neck.

Compatible products:

- Suitable for liquid soap.
- Liquid soap viscosity: 100 - 3000 mPa.s.

Main material and finish:

- Technical polymer housing.
- Stainless steel tube and base plate.
- Brass clamping screw.
- Matte black finish.

Power supply:

- Mains 230V plug-in to wall socket.

Recommended installation:

- Housing to be installed in an accessible location for easy bottle filling.
- Soap reservoir can be offset for liquid soap applications with extension kit not supplied.
- The electric soap dispenser is compatible with vegetable-based liquid soap with a PH between 5 and 9, with a maximum viscosity of 3000mPa.s. Our mechanisms do not work with hydroalcoholic solutions or with soaps for industrial use or containing microbeads.

Delivered with:

- 1L reservoir bottle.
- Plug-in transformer.