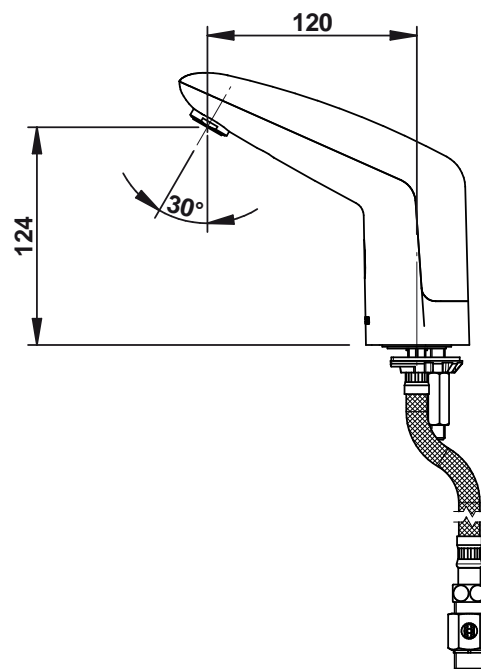


**Range:** Single deck-mounted sensor tap

**Ref:** 55060 - PRESTO VOLTA



**> Working pressure :**

- 1 to 5 bar

**> Flow :**

- 3 l/min with integrated flow limiter
- High quality anti-limescale aerator
- Anti-water-hammering design

**> Hydraulic supply :**

- G 3/8" (12x17) - Cold or premixed water

**> Power supply :**

- Integrated 6V CRP2 lithium battery

**> Material and colour finish :**

- Injected molded metal body and cover

**> Thermal resistance :**

- Resistant to a temperature of 75°C for 30-minute-thermal-shocks

**> Security :**

- Anti-overflow security time: 30 seconds
- Anti-blocking system preventing the water to flow continuously

**> Delivered with :**

- 1 Brass clamping nut
- 1 Gasket and 1 Washer
- 1 Hose with revolving nut
- 1 Stop valve MM G 3/8" (12x17)
- 1 Filter gasket
- 1 Self-adhesive sticker
- Instruction manual

**> Standards & approvals :**

- Molded chrome-plated body in accordance with EN 12540
- 200-hour neutral salt spray resistant (NSS) in accordance with ISO 9227

Ce document n'est pas contractuel ; nous nous réservons le droit de modifier les caractéristiques de nos produits sans préavis. Toutes nos marques et tous modèles sont déposés.

