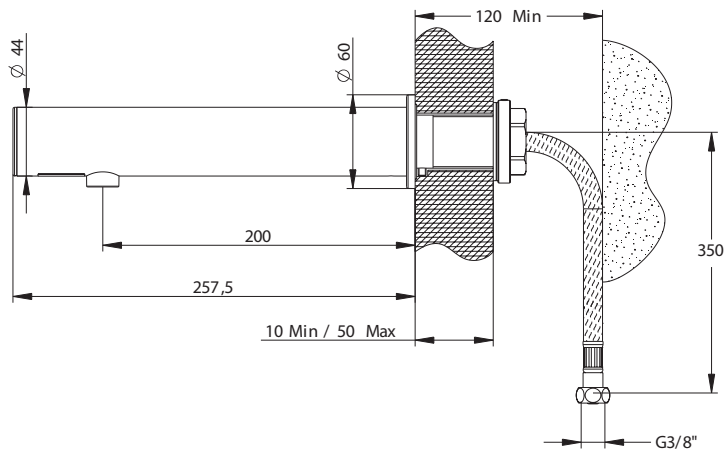
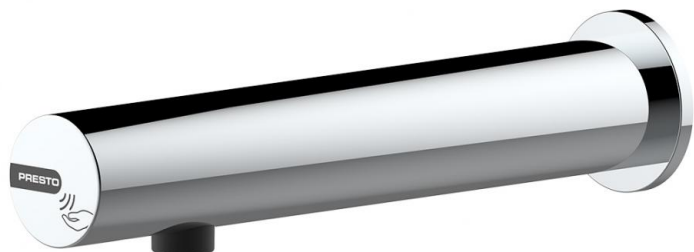


**Range:** PRESTO LINEA

**Ref:** 57118 - Wall-mounted single sensor tap, cross-partition, Battery, 1,9l/min without stop valve



#### > Working pressure :

- 1 to 5 bar

#### > Function:

- Sensor trigger suitable for elderly, children and disabled people

#### > Flow :

- 1,9 l/min with integrated flow regulator
- High quality anti-limescale aerator

#### > Hydraulic supply :

- G 3/8" (12x17) hoses

#### > Power supply :

- Integrated 6V CR123 lithium battery

#### > Material and colour finish :

- Chrome-plated brass body with smooth inside body
- Chrome-plated molded metal cover

#### > Thermal resistance :

- Resistant to a temperature of 75°C for 30-minute-thermal-shocks

#### > Security :

- Anti-overflow security time set to 30 seconds preventing the water to flow continuously
- Automatic shutdown of solenoid valve in case of low battery or sensor damage
- Duty flush 30 sec every 24h after last use (adjustable flow time and frequency)
- Low battery alert (blinking led light)

#### > Installation

- Recommended installation height : 30 cm above the bottom of the washbasin

#### > Delivered with:

- 1 Brass clamping nut, 1 Gasket and 1 Washer
- 1 Wall rose
- 1 PEX Hoses with revolving nut and filter gasket
- 1 Self-adhesive sticker
- 1 Instruction manual

#### > Standards & approvals :

- Brass body in accordance with NF EN1982, EN12164, NF EN 12165,
- UBA list compliant
- 200-hour neutral salt spray resistant (NSS) in accordance with NF ISO 9227

