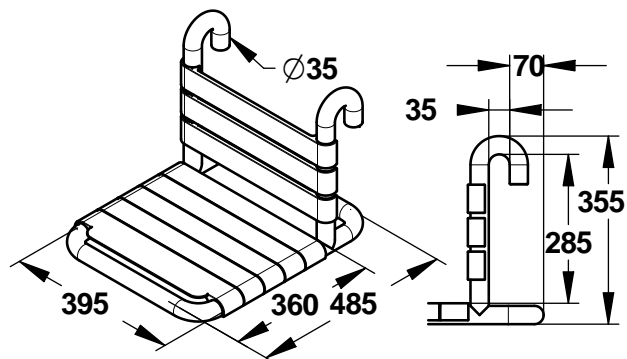


Range: Shower Seat

Ref: 60520 - Hang-up shower seat



> Dimensions:

- 395x485 mm

> Comfort:

- Wide seat guarantees comfort and ease for the user

> Hygiene:

- Lattes for a good evacuation of water

> Security:

- Lattes: anti-slip property
- Resistance to a load of 170 Kg

> Endurance and reliability:

- Corrosion resistant assembly

> Material and finish:

- White epoxy finish steel

> Hanging on bars diameter 32, 34 and 35 PRESTO