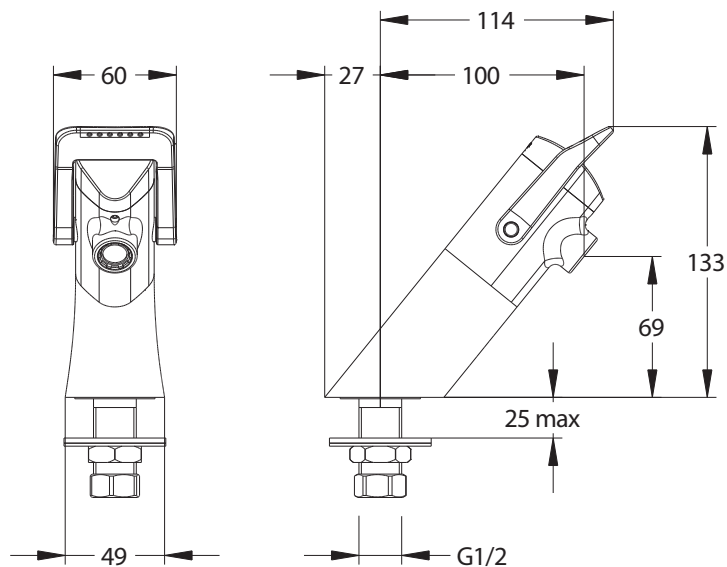


Range: Neo Duo

Ref: 64700 - NEO DUO deck-mounted single tap 3l/min 15sec with grey lever



Working pressure:

- 1 to 5 bar

Flow:

- 3 l/min at 3 bars - 4-position setting
- Anti water-hammer system

Flow time:

- 15 seconds \pm 5 seconds - lever upwards or downwards

Hydraulic supply:

- G 1/2" x 40

Thermal resistance:

- This tap can withstand a thermal shock of 75°C for 30 minutes as part of a thermal shock programme

Convenience:

- Soft-touch
- Two-coloured ergonomic lever, in glass fiber reinforced polymer

Delivered with:

- 1 Filter gasket
- 1 base gasket
- 1 fixture nut + 1 stainless steel washer
- 1 Nut for 12x14 tube
- 1 rubber flat gasket
- 1 coloured sticker

Standards / Approvals:

- Acoustic class II
- Chrome-plated brass body compliant with standards NF EN1982 / NF EN12164 / NF EN12165
- Nickel-Chrome surface treatment compliant with NF EN12540
- Neutral Salt Spray (NSS) resistant: 200 h according to NF ISO 9227

