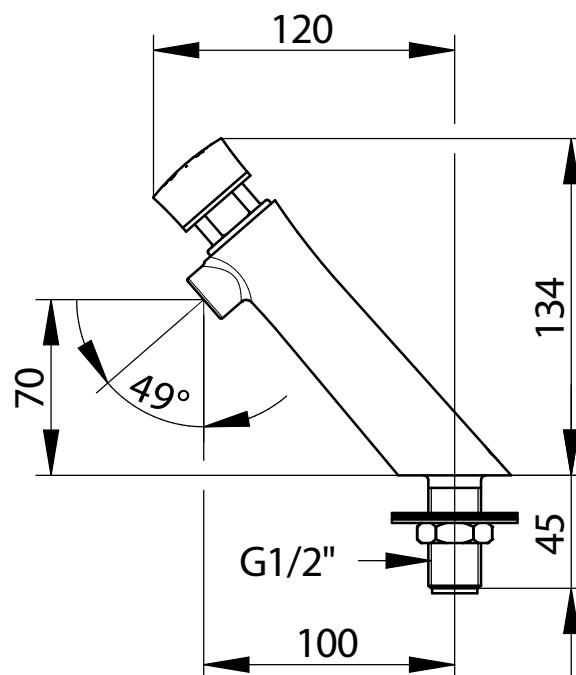


Range: Washbasin single self-closing tap

Ref: 65005 - PRESTO NEO deck-mounted tap - 7 sec. (PRESTOGREEN)



> Working pressure:

- 1 to 5 bar

> Flow:

- 3 l/min at 3 bars - 4-position setting
- Anti water-hammer system

> Flow time:

- 7 seconds

> Hydraulic supply:

- G 1/2" x 40 - cold water

> Thermal resistance:

- This tap can withstand a thermal shock of 75°C for 30 minutes as part of a thermal shock programme

> Safety:

- Interchangeable head and non-turnable push button to avoid premature wear
- Non-removable blue circled marker

> Delivered with:

- 1 Nut for 12x14 tube
- 1 Fibre gasket
- 1 Stainless steel plain washer
- 1 Brass clamping nut
- 1 NBR washer
- 1 Installation manual

> Standards / Approvals:

- Chrome-plated brass body compliant with standards NF EN1982 / NF EN12164 / NF EN12165
- Nickel-Chrome surface treatment compliant with NF EN12540
- Neutral Salt Spray (NSS) resistant: 200 h according to NF ISO 9227

