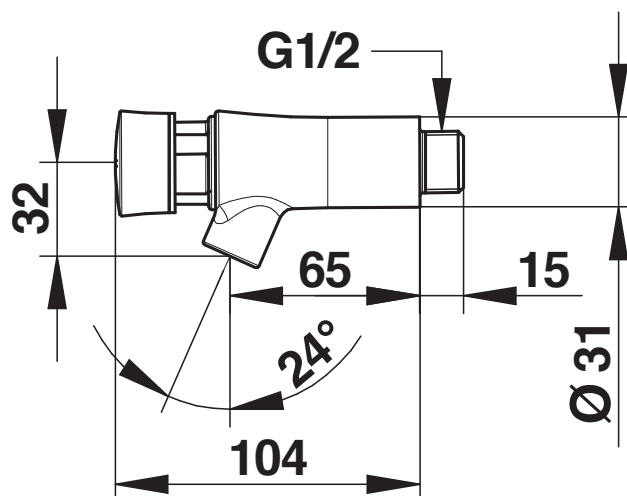


Range: Neo

Ref: 66000 - NEO WALL-MOUNTED TAP COLD 65MM 15SEC



Working pressure:

- 1 to 5 bar

Flow:

- 3 l/min at 3 bars - 4-position setting
- Anti water-hammer system

Flow time:

- 15 seconds ± 5 seconds

Hydraulic supply:

- G 1/2" x 15 - cold water

Thermal resistance:

- This tap can withstand a thermal shock of 75°C for 30 minutes as part of a thermal shock programme

Dimensions:

- 65mm projection

Safety:

- Interchangeable head and non-turnable push button to avoid premature wear
- Non-removable blue circled marker

Delivered with:

- 1 Installation manual

Standards / Approvals:

- Acoustic class II
- Chrome-plated brass body compliant with standards NF EN1982 / NF EN12164 / NF EN12165
- Nickel-Chrome surface treatment compliant with NF EN12540
- Neutral Salt Spray (NSS) resistant: 200 h according to NF ISO 9227
- WRAS

