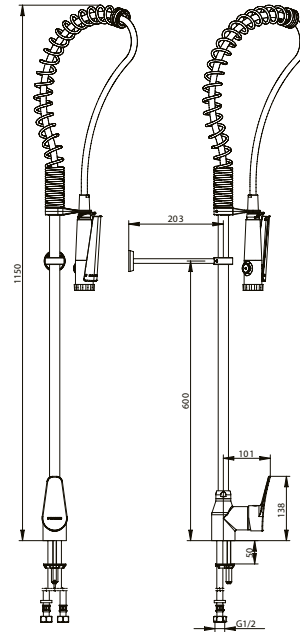


Range: PRESTO CHEF - Professionnal Kitchen range
Ref: 70810 - Column – deck-mounted mixer – rinsing head



> THE PRODUCT BENEFITS

- Resistant to intensive use and spring flexibility
- Ergonomic hand shower with continuous flow function and gripping surface limiting the risk of burns. Tip to absorb shocks. Locking hook to avoid MSDs (musculoskeletal disorders)
- Reinforced body / column interface
- Robust mixing handle - possibility of installing it laterally
- Product design
- Adjustable wall support
- PU sheath shower hose to avoid bacterial niches and facilitate cleaning
- Ease of maintenance: availability of all spare parts

> TECHNICAL SPECIFICATIONS

> Dimensions:

- Maximum fixing height: 632 mm

> Model:

- Single-lever mixer with ceramic cartridge
- Black M1/2" hand shower with grip surface limiting the risk of burns. Regulated flow 12L / min. User adjustable jet: concentrated or wetting. Anti-scale shower head. Locking hook for continuous flow. Integrated non-return valve.
- Guide spring for stainless steel hose
- Adjustable wall support, can be cut from 60 to 200 mm (from column to wall)
- Adjustable hand shower holder: left or right

> Recommended working pressure:

- 1 to 5 bars

> Shower flow:

- 12 L /min at 3 bar

> Hydraulic supply:

- G 1/2 " (15x 21)

> Material and color of finish:

- Body and column in chromed brass
- Injected metal hook
- Handle and jet outlet in impact-resistant, temperature-resistant technical polymer and compatible with drinking water
- Material compliant with the "UBA" list

> Thermal resistance :

- Withstands a temperature of 75 ° C for 30 minutes (in the context of thermal shock).

> Delivered with :

- 1 fixing bracket
- 1 filter
- 2 PEX flexible hoses with stainless steel braided nut G1 / 2 " Lg 660 mm with non-return valves NF
- 1 stainless steel braided hose (hand shower) Lg 1m surrounded by a PU sheath, resistant to temperatures up to 90 ° C. Continuous operating temperature at 70 ° C maximum
- NF check valve on the hand shower

> Standards and approvals:

- Chromed brass body compliant with standards NF EN1982 / NF EN 12164 / NF EN 12165
- Nickel-Chrome surface treatment according to NF EN12540
- Resistance to neutral salt spray (NSS): 200 h according to NF ISO 9227

