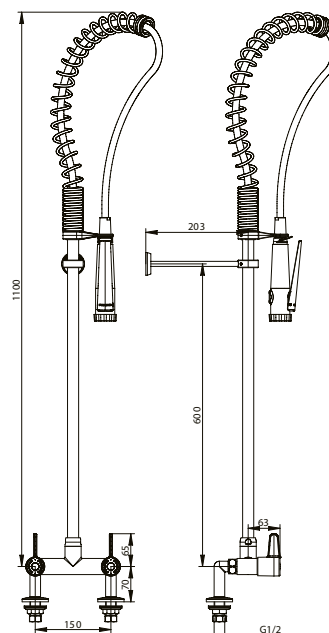


Range: PRESTO CHEF - Professionnal Kitchen range
Ref: 70816 - Deck-mounted column with 2 holes –rinsing head



> THE PRODUCT BENEFITS

- Resistant to intensive use
- Spring flexibility
- Ergonomic hand shower with continuous flow function, and gripping surface limiting the risk of burns. Tip to absorb shocks. Locking hook to avoid MSD (musculoskeletal disorder)
- Reinforced body / column interface
- Intuitive and ergonomic knobs: easy grip
- Product design
- Adjustable wall support
- PU sheath shower hose to avoid bacterial niches and facilitate cleaning
- Easy maintenance: presence of a slot under the red / blue patch allowing the passage of a screwdriver
- Ease of maintenance: availability of all spare parts

> TECHNICAL SPECIFICATIONS

> Model:

- 1/4 turn ceramic head mixer
- Black M 1/2" hand shower with grip surface limiting the risk of burns. Flow regulated at 12L / min. User adjustable jet: concentrated or wetting. Anti-scale shower head. Locking hook for continuous flow. Integrated NF check valve.
- Guide spring for stainless steel hose
- Adjustable wall support, can be cut from 60 to 200 mm (from column to wall)
- Adjustable hand shower holder: left or right

> Recommended working pressure:

- 1 to 5 bars

> Flow rate:

- 12L /min at 3 bar

> Hydraulic supply:

- Male tap inlet G1 / 2 "

> Material and color of finish:

- Body and column in chromed brass
- Injected metal hook
- Material compliant with the "UBA" list

> Thermal resistance :

- Withstands a temperature of 75 ° C for 30 minutes (as part of thermal shock).

> Delivered with :

- Columns with nut and filter
- 1 stainless steel braided hose (hand shower) Lg 1m surrounded by a PU sheath, resistant to temperatures up to 90 ° C. Continuous operating temperature at 70 ° C maximum

> Standards and approvals:

- Chromed brass body compliant with standards NF EN1982 / NF EN 12164 / NF EN 12165
- Nickel-Chrome surface treatment according to NF EN12540
- Resistance to neutral salt spray (NSS): 200 h according to NF ISO 9227