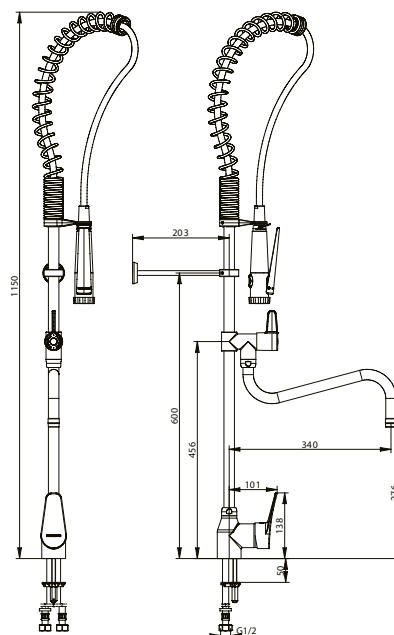


Range: PRESTO CHEF - Professionnal Kitchen range
Ref: 70822 - Column – deck-mounted mixer – rinsing head



> THE PRODUCT BENEFITS

- Resistant to intensive use
- Spring flexibility
- Ergonomic hand shower with continuous flow function, and gripping surface limiting the risk of burns. Tip to absorb shocks
- Fast filling of tanks: 20L /min at 3 bar
- Reinforced body / column interface
- Robust mixing handle - possibility of installing it laterally
- Product design
- Adjustable wall support
- Locking hook to avoid musculoskeletal disorder
- PU sheath shower hose to avoid bacterial niches and facilitate cleaning
- Ease of maintenance: availability of all spare parts
- Flow straightener to channel water and avoid lateral water splashes

> TECHNICAL SPECIFICATIONS

> Model:

- Single-lever mixer with ceramic cartridge with flow rate of 20L / min at 3 bar
- 1/4 turn ceramic head tap with filling spout Lg 300 mm - adjustable
- Black hand shower M 1/2" with grip surface limiting the risk of burns
- Shower flow: 12L / Min (regulated) - User adjustable jet: concentrated or wetting - Anti-tartar shower nozzle - Locking hook for continuous flow - integrated NF check valve
- Interchangeable anti-tartar flow straightener
- Guide spring for stainless steel hose
- Adjustable wall support, can be cut from 60 to 200 mm (from column to wall)
- Adjustable shower holder on the left or right

> Recommended working pressure:

- 1 to 5 bars

> Flow rate:

- 20L /min at 3 bar

> Hydraulic supply:

- G 1/2 " (15x 21)

> Material and color of finish:

- Body, spout and column in chromed brass
- Injected metal hook
- Material compliant with the "UBA" list

> Thermal resistance :

- Withstands a temperature of 75 ° C for 30 minutes (as part of thermal shock).

> Delivered with :

- 1 fixing bracket
- 2 PEX flexible hoses with stainless steel braided nut G1 / 2 " Lg 660 mm with non-return valves NF
- 1 filter
- 1 stainless steel braided hose (hand shower) Lg 1m surrounded by a PU sheath, resistant to temperatures up to 90 ° C. Continuous operating temperature at 70 ° C maximum

> Standards and approvals:

- Chromed brass body compliant with standards NF EN1982 / NF EN 12164 / NF EN 12165
- Nickel-Chrome surface treatment according to NF EN12540
- Resistance to neutral salt spray (NSS): 200 h according to NF ISO 9227

