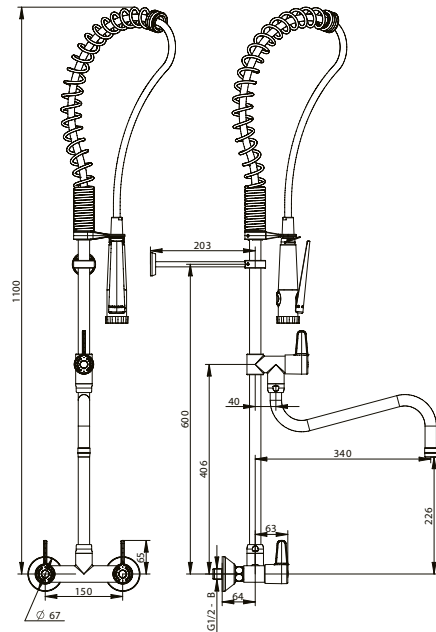


Range: PRESTO CHEF - Professionnal Kitchen range
Ref: 70826 - Wall-mounted column with 2 holes– rinsing head



> THE PRODUCT BENEFITS

- Resistant to intensive use
- Spring flexibility
- Ergonomic hand shower with continuous flow function, and gripping surface limiting the risk of burns
- Fast filling of tanks: 37L /min at 3 bar
- Reinforced body / column interface
- Intuitive and ergonomic knobs: easy grip
- Easy maintenance: presence of a slot under the red / blue patch allowing the passage of a screwdriver
- Wall version: facilitates cleaning and promotes optimal hygiene
- Product design
- Flow straightener to channel water and avoid lateral water splashes

> TECHNICAL SPECIFICATIONS

> Dimensions:

- Height under spout: 228 mm
- Spout projection: 340 mm
- Height of the fixing: 582 mm compared to the body EA 150 mm

> Model:

- Wall-mounted two-hole mixer with ceramic head 1/4 turn with flow rate of 37L /min at 3 bar
- 1/4 turn ceramic head tap with filling spout Lg 300 mm - adjustable
- Black M 1/2" hand shower with grip surface limiting the risk of burns
- Shower flow: 12L / Min (regulated) - User adjustable jet: concentrated or wetting - Anti-tartar shower nozzle - Locking hook for continuous flow - integrated NF check valve
- Interchangeable anti-tartar flow straightener
- Guide spring for stainless steel hose
- Adjustable wall support, can be cut from 60 to 200 mm (from column to wall)
- Adjustable shower holder on the left or right

> Recommended working pressure:

- 1 to 5 bars

> Flow rate:

- 37L /min at 3 bar

> Hydraulic supply:

- G 1/2 " (15x 21)

> Material and color of finish:

- Body, spout and column in chromed brass
- Injected metal hook
- Material compliant with the "UBA" list

> Thermal resistance:

- Withstands a temperature of 75 ° C for 30 minutes (in the context of thermal shock).

> Delivered with:

- Eccentric rosettes
- 1 filter
- 1 stainless steel braided hose (hand shower) Lg 1 m surrounded by a PU sheath, resistant to temperatures up to 90 ° C. Continuous operating temperature at 70 ° C maximum

