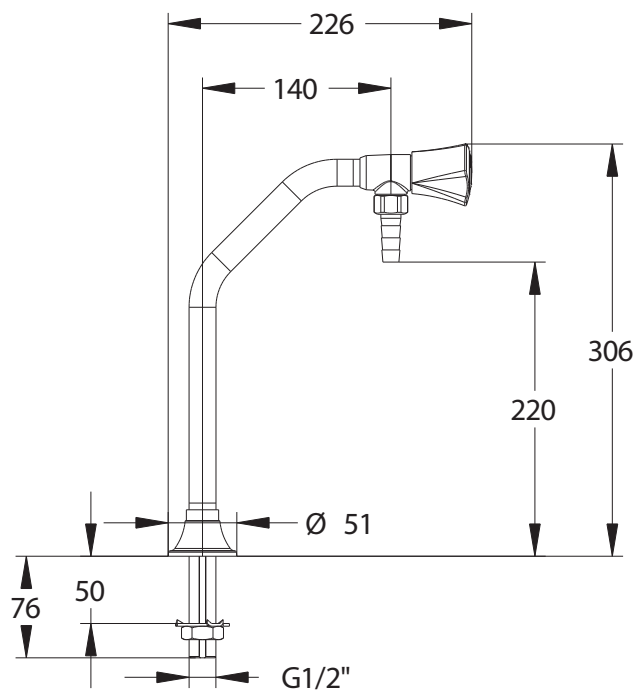


Range: First Labo

Ref: 721041 - Black single tap candlestick, 140mm projection, removable nozzle, drinking water



Fluid:

- Drinking water

Operation:

- Fluid release and shut-off using ergonomically shaped handwheel: 2.5 handwheel turns
- Fixed spout
- Removable nozzle Ø10 mm

Flow rate:

- Adjustable via cartridge

Connection:

- Threaded tail M G'1/2"

Working pressure:

- Minimum: 1 bar
- Recommended: 3 bar
- Maximum: 5 bar

Materials and colors:

- Brass body and nozzle
- Polypropylene handwheel
- Black epoxy-painted body: chemical resistance
- Green handwheel and plate indicating fluid according to EN 13792
- Blue pad indicating fluid according to EN 13792

Installation:

- Deck-mounted, work bench

French Standards and approvals:

- Colors complying with NF EN 13792 standard.

