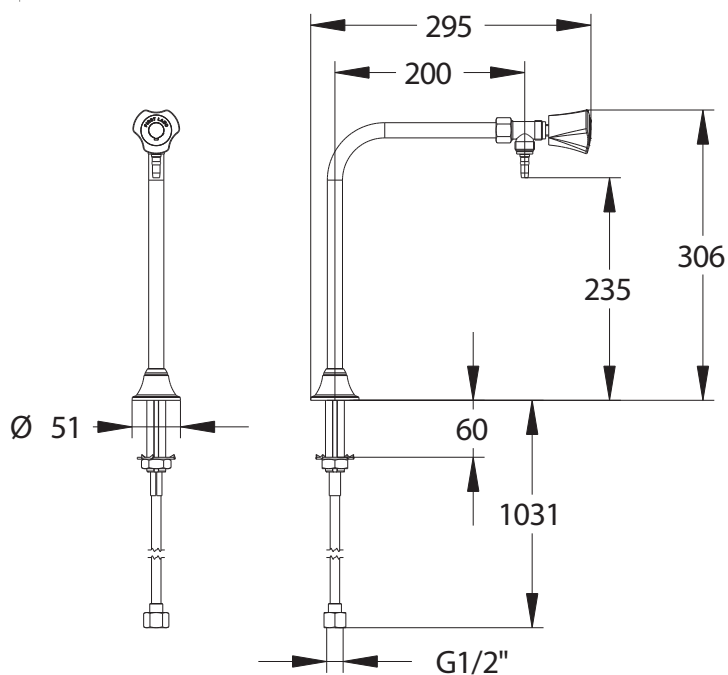


**Range:** First Labo 3 - Eau déminéralisée

**Ref:** 723011 - Black candelstick with fixed spout, 200mm projection



#### Fluids:

- Demineralized or osmosis water
- Acids/basics

#### Operation:

- Release and shut-off of fluid by means of ergonomically shaped handwheel: 2.5 turns of handwheel
- Fixed spout
- Removable spout Ø6 mm

#### Flow rate:

- Non-adjustable

#### Connection:

- 1/2 female flexible tube, 1 m long

#### Working pressure:

- Minimum: 0.5 bar
- Recommended: 1 bar
- Maximum: 1.5 bar

#### Materials and colors :

- Brass body and nozzle
- Polypropylene handwheel
- Black epoxy-painted body: chemical resistance
- Green handwheel indicating fluid to EN 13792
- White plate indicating fluid to EN 13792

#### Installation:

- Deck-mounted
- Safety: Anti-rotation mounting with steel claw washer

#### French Standards and approvals :

- Colours complying with NF EN 13792 standard

