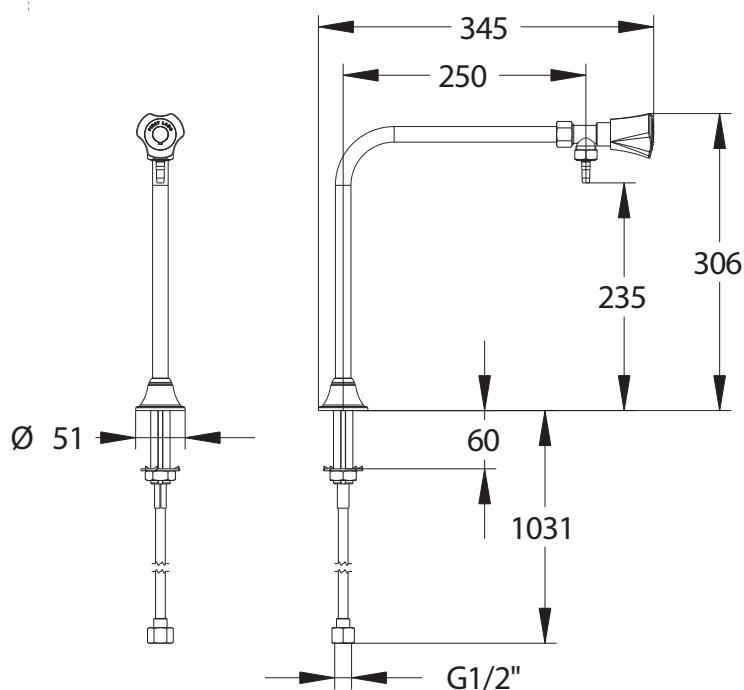


Range: First Labo 3 - Eau déminéralisée

Ref: 723021 - Black candelstick with fixed spout, 250 mm projection



Fluids:

- Demineralized or osmosis water
- Acids/basics

Operation:

- Release and shut-off of fluid by means of ergonomically shaped handwheel: 2.5 turns of handwheel
- Fixed spout
- Removable spout Ø6 mm

Flow rate:

- Non-adjustable

Connection:

- 1/2 female flexible tube, 1 m long

Working pressure:

- Minimum: 0.5 bar
- Recommended: 1 bar
- Maximum: 1.5 bar

Materials and colors :

- Brass body and nozzle
- Polypropylene handwheel
- Black epoxy-painted body: chemical resistance
- Green handwheel indicating fluid to EN 13792
- White plate indicating fluid to EN 13792

Installation:

- Deck-mounted
- Safety: Anti-rotation mounting with steel claw washer

French Standards and approvals :

- Colours complying with NF EN 13792 standard

