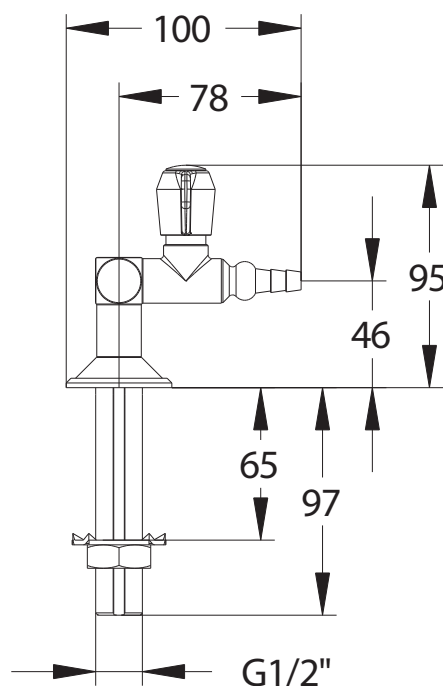


Range: First Labo

Ref: 724051 - Table-mounted outlet with 1 safety tap, fixed spout, black, combustible gas



Fluid:

- Combustible gas

Operation:

- Fluid release and shut-off via ergonomically shaped handwheel: 1/4 turn safety
- Fixed splined nozzle \varnothing 6 mm
- Direct control

Flow rate:

- Non-adjustable

Connection:

- Threaded tail M G 1/2

Using pressure:

- Minimum: 27 mbar
- Recommended: 300 mbar
- Maximum: 500 mbar

Materials and colors:

- Brass body and nozzle
- Polypropylene handwheel
- Black epoxy-painted body: chemical resistance
- Base washer, handwheel, plate and yellow-colored pad indicating fluid according to EN 13792

Installation:

- Mounting on table, work bench

Safety:

- Anti-rotation fastening thanks to steel claw washer

Standards and approvals:

- Colors complying with NF EN 13792 standard.

