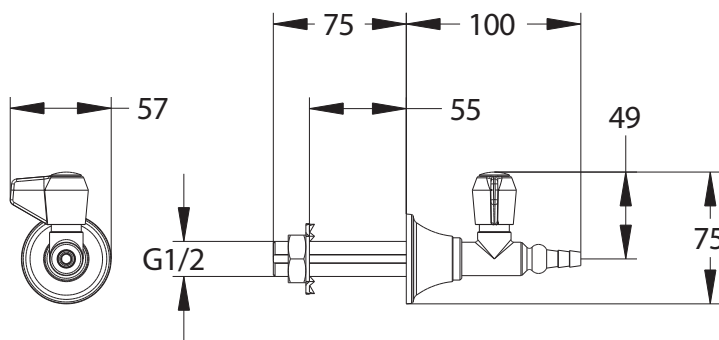


Range: First Labo

Ref: 724071 - Black safety faucet, wall-mounted, combustible gas



Fluid:

- Combustible gas

Operation:

- 1/4 turn ball valve head
- Fixed nozzle Ø6 mm
- Direct control

Flow rate:

- Non-adjustable

Fitting:

- Threaded shank M G'1/2

Using pressure:

- Minimum: 27 mbar
- Recommended: 300 mbar
- Maximum: 500 mbar

Materials and colors:

- Brass body and nozzle
- Polypropylene handwheel
- Black epoxy-painted body: chemical resistance
- Base, handwheel, plate and yellow fluid-indicating pad in accordance with EN 13792

Installation:

- Wall deck-mounted

Safety:

- Anti-rotation fastening with steel claw washer

Standards and approvals:

- Colors complying with NF EN 13792 standard.

