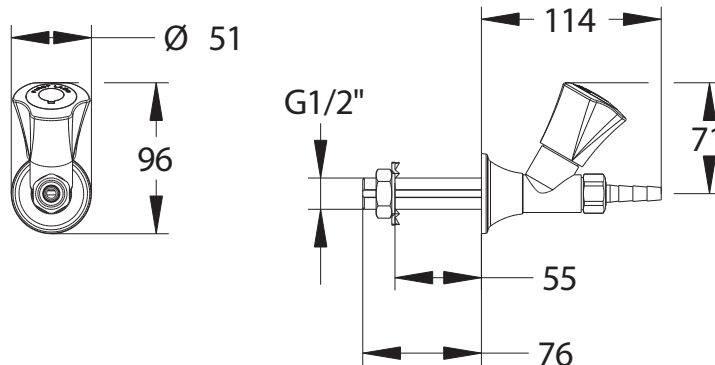


Range: First Labo

Ref: 726041 - Black faucet on base, compressed air



Fluid:

- Compressed air

Operation:

- Fluid release and shut-off via ergonomically shaped handwheel: 2.5 handwheel turns
- Direct operated

Flow rate:

- Adjustable via cartridge

Connection:

- Threaded tail M G 1/2"

Using pressure:

- Minimum: 1 bar
- Recommended: 5 bar
- Maximum: 7 bar

Materials and colors:

- Brass body and nozzle
- Polypropylene handwheel
- Black epoxy-painted body: chemical resistance
- Blue handwheel, plate and baseplate indicating fluid according to EN 13792

Installation:

- Wall deck-mounted

Safety:

- Anti-rotation fastening thanks to steel claw washer

Standards and approvals:

- Colors complying with NF EN 13792 standard.

