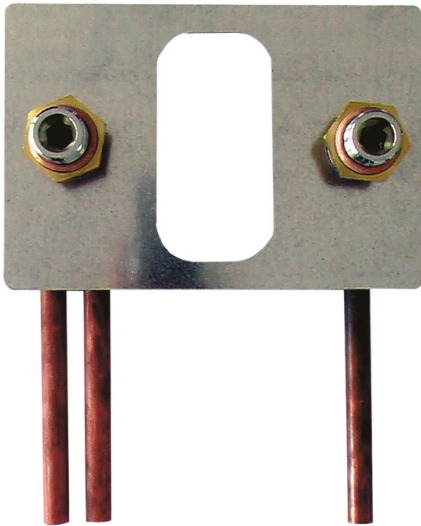




HEALTHCARE TAPWARE

Wall mount kit for 150 mm span, with integrated hot and cold water loop-back with solder connection - 75235

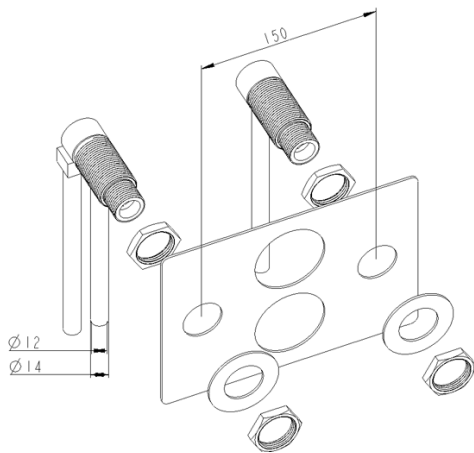


Benefits of the product

- Wall-mounted
- Maximum thickness of wall 28mm
- Wall reinforcement
- Solder connections
- Fixed spacing 150mm
- A double connection for network flow

Description

Wall mounting kit, screw-free, for 150 mm span, with solder connection Galvanised reinforcement plate, 2 nuts, 2 brass lock nuts and tube fittings CU 12X14 for soldering for perfect connection. Output M G'3/4 Can be mounted on all installations (maximum thickness of wall 28mm). 3-way continuous connection. 10 year warranty. Sanifirst brand, wall-mount kit for 150 mm span, with hot water loop-back with solder connection REF: 75235 or approved equivalent.





TECHNICAL DATASHEET

Additional Information

Product reference	75235
Previous reference	FL9981BG
Brand	Sanifirst
Warranty	10 years against manufacturing defects
Special feature 1	A braser
Special feature 2	Avec rebouclage
Special feature 3	For wall-mounted tapware
Clip-on spout	No
Connection	CU tubes 12X14 - M G'3/4
Minimum pressure	1 bar
Recommended pressure	3 bar
Maximum pressure	5 bar