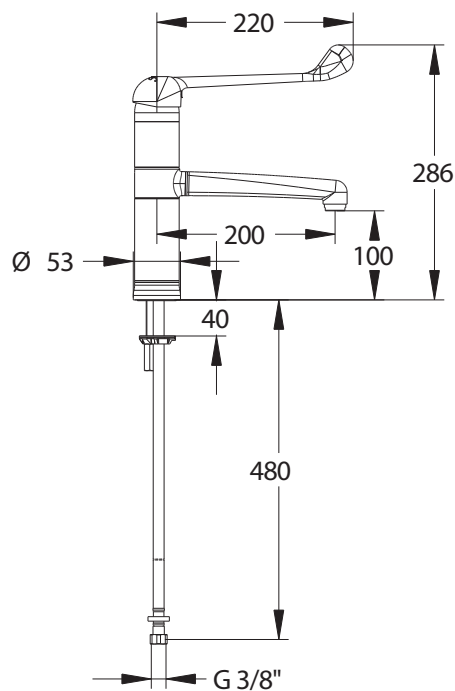


Range: Modul'mix Nouveaux Becs

Ref: 75718 - MODUL'MIX H100 P200 ELBOW CONTROL PB



Benefits of the product

 Modu'Mix range: modularity of parts and adaptability to needs

- Retrofitable and customizable
- Elbow control lever: avoiding manual contact
- Comfortable height to spout and projection for washbasin
- Multifunctional pressure balancing cartridge: temperature limit stop with 7 adjustment positions, double flow (hard point at 50% opening).
- Flow between 10 and 15L / min at 3 bar. Included check valves.
- Fixed or adjustable spout (optional), removable with smooth interior: facilitates cleaning and disinfection, limits the deposit of the biofilm.
- Star-shaped flow straighteners: limits the water spray, no water retention.
- Simple and fast maintenance

Ce document n'est pas contractuel ; nous nous réservons le droit de modifier les caractéristiques de nos produits sans préavis. Toutes nos marques et tous modèles sont déposés.

